

**M12 male 90° with cable**

TPE 4x18AWG ye UL/CSA, ITC/PLTC 3m

Male 90°

M12, 4-pole

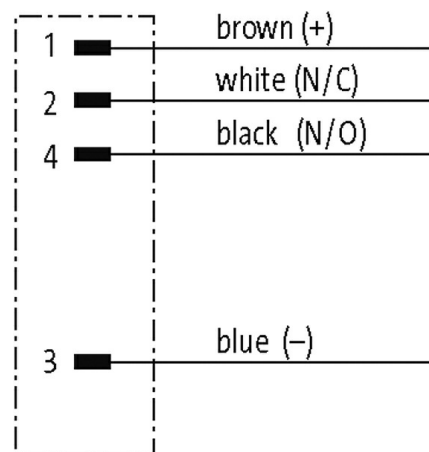
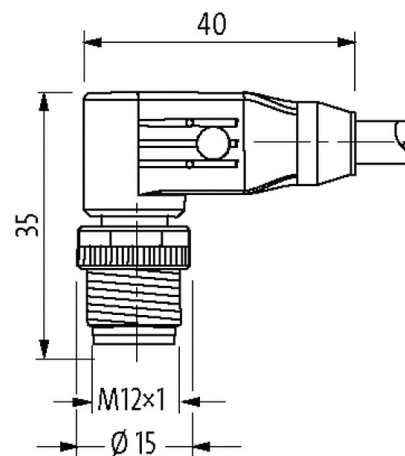
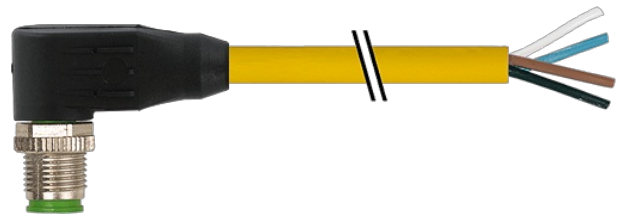
USA

Plastic housings with good resistance against chemicals and oils.

The resistance to aggressive media should be individually tested for your application. Further details on request.

Further cable lengths on request.

Cable is approved for 600 V

**[Link to Product](#)****Illustration**

Product may differ from Image

**Approvals**

The information in this brochure has been compiled with the utmost care.

Liability for the correctness completeness and topicality of the information is restricted to gross negligence. Version: 11/20



\* only for products with UL/CSA approved cable

**Form**

Form 12101

**General data**

|                           |  |
|---------------------------|--|
| Standards                 | DIN EN 61076-2-101 (M12)                 |
| Mounting method           | inserted, tightened                      |
| Pollution Degree          | 3  |
| Stripping length (jacket) | 20 mm                                    |
| Temperature range         | -25...+85 °C, depending on cable quality |

**Cables**

|                                 |   |
|---------------------------------|---|
| No./diameter of wires           | 4 × 0.75 mm <sup>2</sup>                    |
| Wire isolation                  | PVC (br, wh, bl, bk)                        |
| C-track properties              | 10 Mio.                                     |
| Material (jacket)               | TPE (UL/CSA)                                |
| Outer Ø                         | 7.2 mm ±5%                                  |
| Bend radius (moving)            | 15× outer Ø                                 |
| Temperature range (fixed)       | -40...+105 °C                               |
| Temperature range (mobile)      | -20...+90 °C                                |
| Cable identification            | 150   |
| Cable Type                      | TPE   |
| Approval (cable)                | UL (AWM-Style 20626/10708), CSA; CE conform |
| Cable weight [g/m]              | 78,57                                       |
| Material (wire)                 | Cu wire, bare                               |
| Resistor (core)                 | max. 22.5 Ω/km (20 °C)                      |
| Single wire Ø (core)            | 0.234 mm                                    |
| Construction (core)             | 19 × 0.254 mm (multi-strand wire class 5)   |
| Diameter (core)                 | 4 × AWG18/19                                |
| Material (wire isolation)       | PVC   |
| Wire-Ø incl. isolation          | 1.93 mm ±5%                                 |
| Color/numbering of wires        | br, bk, bl, wh                              |
| Stranding combination           | 4 wires twisted                             |
| Shield                          | no  |
| Material (jacket)               | TPE   |
| Outer-Ø (jacket)                | 7.2 mm ±5%                                  |
| Color (jacket)                  | yellow                                      |
| thermal resistance              | flame retardant                             |
| Nominal voltage                 | 600 V AC                                    |
| Test voltage                    | 4000 V                                      |
| Current load capacity           | to DIN VDE 0298-4                           |
| Temperature range (fixed)       | -40...+105 °C                               |
| Temperature range (mobile)      | -20...+90 °C                                |
| Bend radius (fixed)             | 10× outer Ø                                 |
| Bend radius (moving)            | 15× outer Ø                                 |
| No. of bending cycles (C-track) | max. 10 Mio. (25 °C)                        |
| Torsion stress                  | ±180°/m                                     |

|                       |                     |
|-----------------------|---------------------|
| No. of torsion cycles | max. 3 Mio. (25 °C) |
| Jacket Color          | yellow              |

#### Technical Data

|   |  |
|---|--|
| Operating voltage                         | max. 250 V AC/DC   |
| Operating voltage (only UL listed)        | max. 30 V AC/DC  |
| Rated surge voltage                       | 2.5 kV   |
| Operating current per contact             | max. 4 A   |
| Material group                            | IEC 60664-1, category I  |
| No. of poles                              | 4  |
| Coding                                    | A-coded  |
| Locking of ports                          | Screw thread (M12×1 mm) recommended torque 0.6 Nm, self-securing |
| Compression gland                         | M12 (SW13)   |
| Protection                                | IP65, IP66K, IP67 inserted and tightened (EN 60529)              |
| Locking material                          | Zinc die casting, matte nickel plated                            |
| suitable for corrugated tube (internal Ø) | without  |

#### Commercial data

|                       |               |
|-----------------------|---------------|
| country of origin     | DE            |
| customs tariff number | 85444290      |
| EAN                   | 4048879518819 |
| eClass                | 27279218      |
| Packaging unit        | 1             |

#### Sketch

Male



Product may differ from Image